



**£320,000**  
Freehold

**141 Locks Road, Locks Heath**  
Southampton, Hampshire SO31 6LF



## Quick View



2 Bedrooms



Garage



1 Living Room + Conservatory



1.5 Bathrooms



Semi-Detached House



EPC Rating TBC



Parking



Council Tax Band C

## Reasons to View

- Unlike many character properties this cottage has off road parking, with a driveway to the front as well as a garage at the rear.
- You'll enjoy sunshine well into the evening in this neat westerly facing garden.
- The open plan living room is ideal for hosting social gatherings, or light the open fire and cosy up on the sofa for a quiet night in.
- Perfectly situated for the local shops at Locks Heath and Park Gate, both just a short stroll away.
- With the addition of a conservatory at the rear there is useful extra living space from which to enjoy the garden.
- The property is offered with no forward chain so you can start planning for some summer fun here this year.

## Description

We are always excited to see these little pieces of local history come to market and this cottage doesn't fail to meet expectations. Originally built to provide accommodation for the workers in the then thriving strawberry growing industry, the property has since been opened on the ground floor and a conservatory added providing good sized living space. The front driveway is block paved making way for parking one or two cars.

Stepping into the property we are sure you will immediately warm to the charm of this cottage with its part panelled walls and feature fireplace. The sitting area is open plan to the dining area offering a sociable living area. There is handy storage in the built in cupboards and stairs lead up to the first floor. A door opens into the kitchen, which is fitted with pine country style units with a built in oven & hob. The gas combination boiler powers the heating & hot water system. A window and door to the side lead into the large conservatory which could provide for a seating area off the garden. A door opens into the utility room creating a separate space for your washing machine and tumble dryer. A further door leads to the cloakroom.

On the first floor the larger bedroom looks out to Locks Road at the front having wardrobe space. There is a further single bedroom to the rear and the bathroom which is fitted with bath and a separate corner shower, great for those busy mornings!

Outside the garden is enclosed by panel fencing and is mainly laid to lawn with a patio area where you will enjoy the summer sunshine well into the evening. There is a useful outside store and personnel door into the garage with up and over door to the front onto the shared driveway accessed alongside no 139 Locks Road.

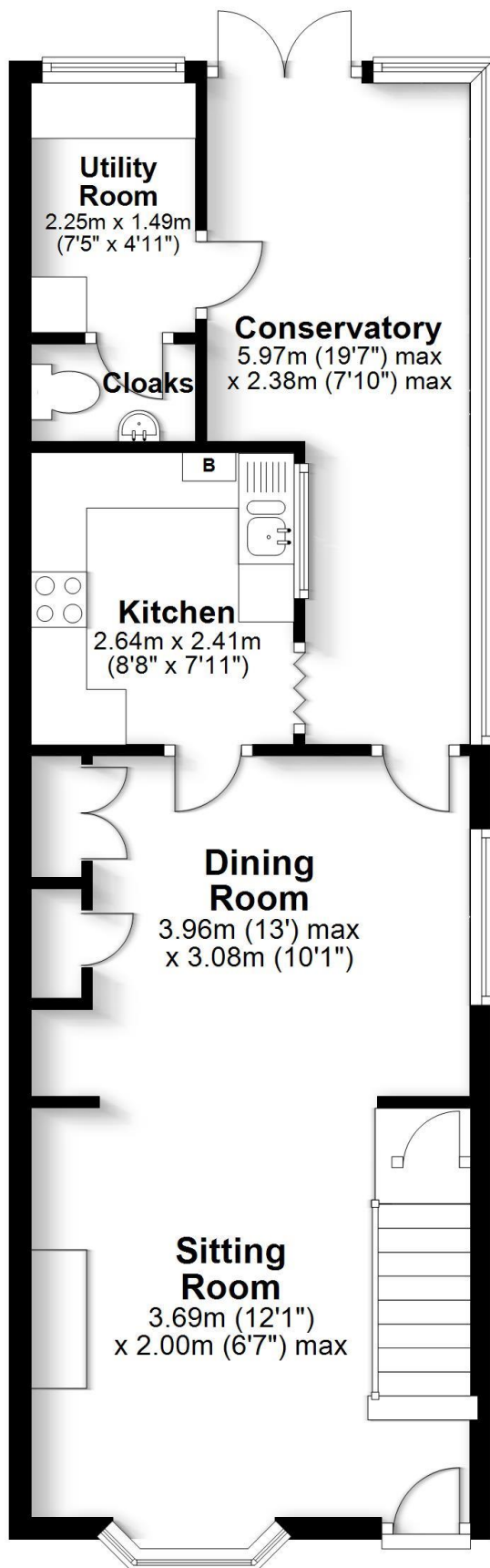
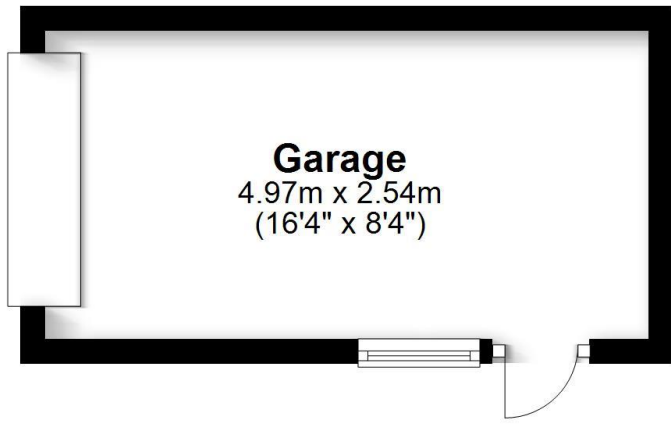
Character properties like these don't often come to the market so avoid the rush and call today to arrange your viewing.

## Directions

<https://what3words.com/curated.newlywed.blending>

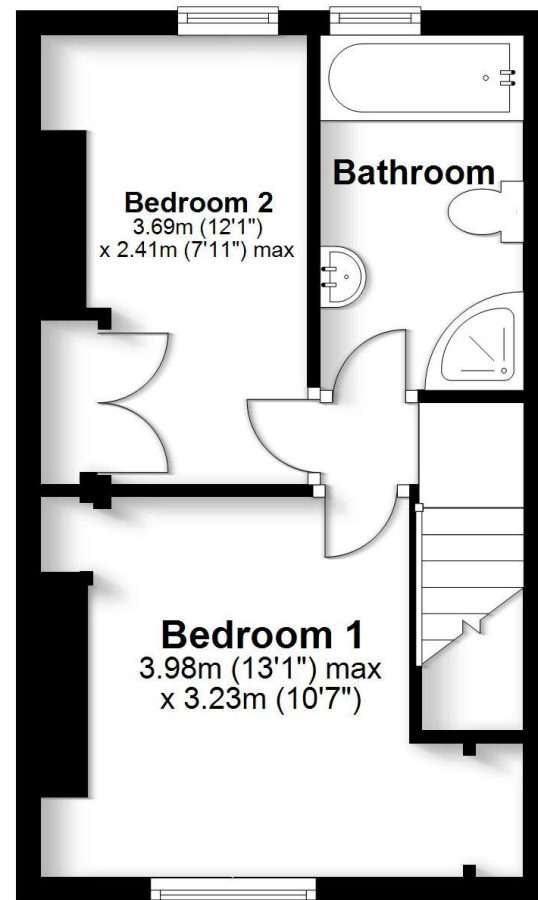
## Ground Floor

Approx. 49.7 sq. metres (534.6 sq. feet)



## First Floor

Approx. 27.1 sq. metres (291.8 sq. feet)



Total area: approx. 76.8 sq. metres (826.4 sq. feet)

Robinson Reade endeavour to supply accurate and reliable property information in line with Consumer Protection from Unfair Trading Regulations 2008, however please contact the office before viewing if there is any aspect which is particularly important to you and we will be pleased to provide the relevant information. These property details do not constitute any part of an offer or contract, all measurements are approximate. Any services, appliances and heating systems listed have not been checked. We must point out that where we introduce you to a third party who offers conveyancing, removal or financial services, e.g. legal, mortgage and insurance advice, we may earn a commission. For more information go to [www.robinsoneade.co.uk/referral-fees](http://www.robinsoneade.co.uk/referral-fees). Robinson Reade Ltd, Registered office: 10 Middle Road, Park Gate, Southampton, SO31 7GH, Co Reg No: 5185152



Pop in to see us at 10 Middle Road, Park Gate, Southampton, Hampshire, SO31 7GH  
Email us [sales@robinsonreade.co.uk](mailto:sales@robinsonreade.co.uk) Visit us [www.robinsonreade.co.uk](http://www.robinsonreade.co.uk)  
Call us on 01489 579009

Independent Sales & Letting Agents for the Strawberry Coast